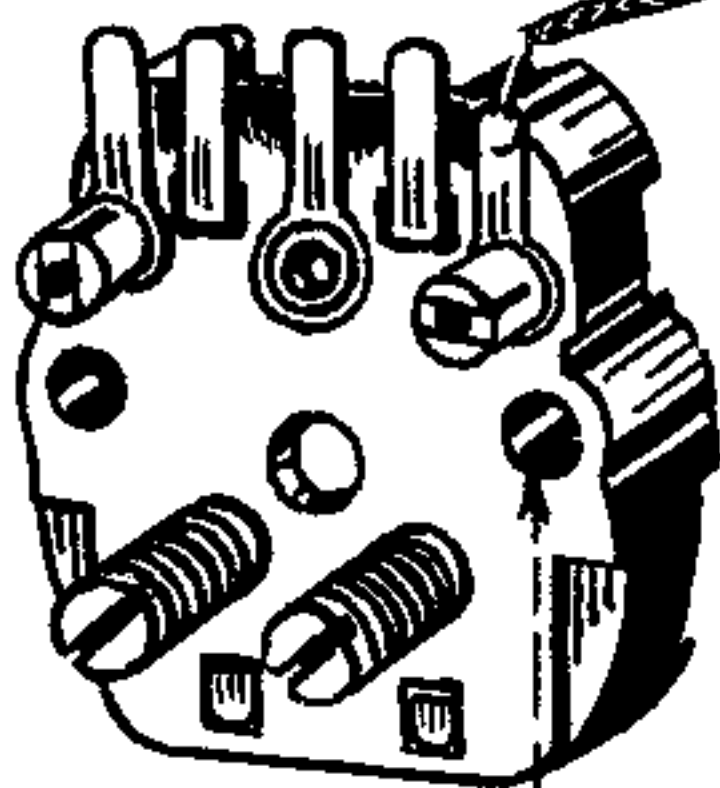
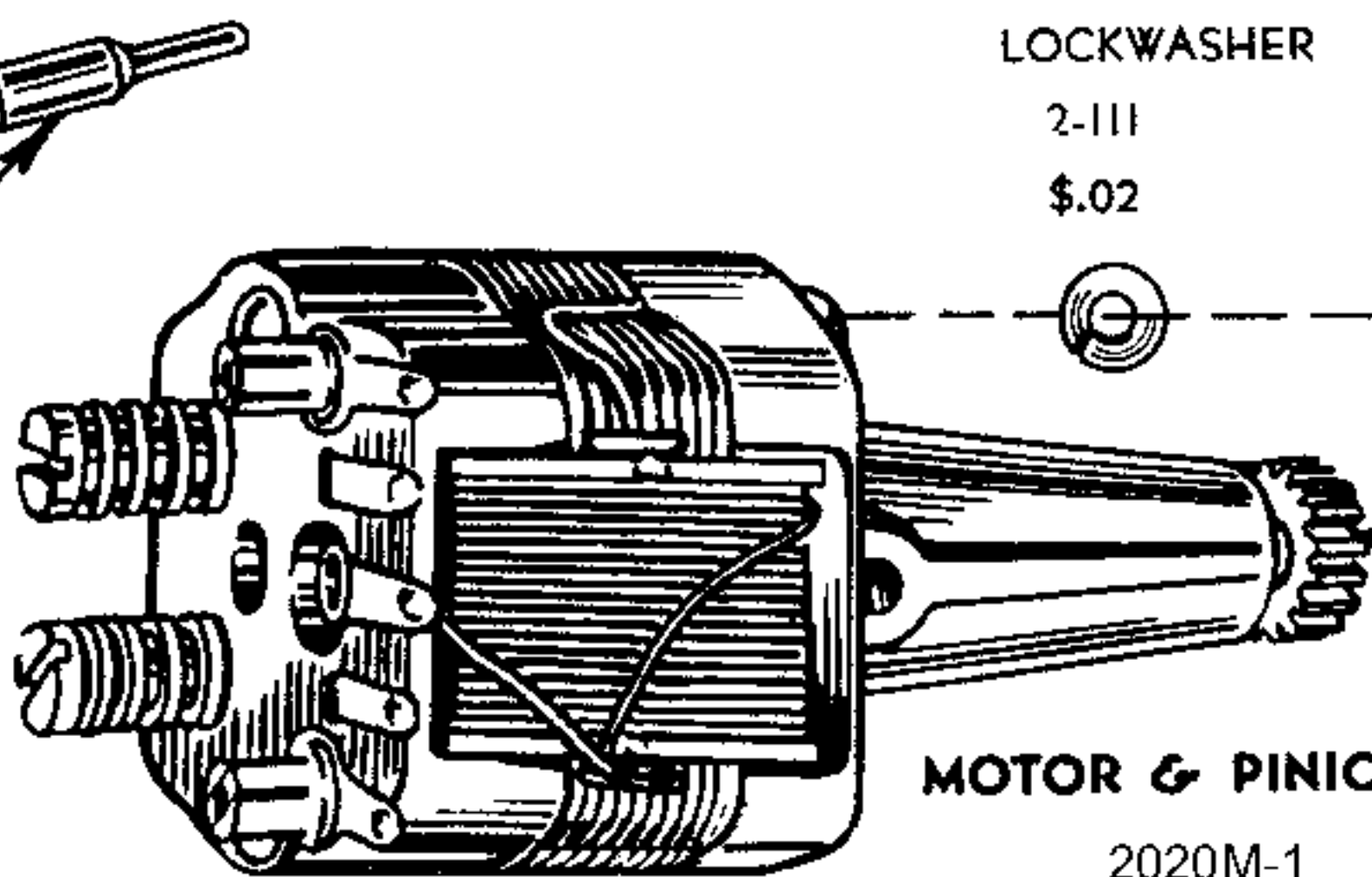


# LIONEL SERVICE MANUAL

BRUSH PLATE ASSY.  
2020M-30  
\$1.00



MALE PLUG  
2020M-36  
\$.35

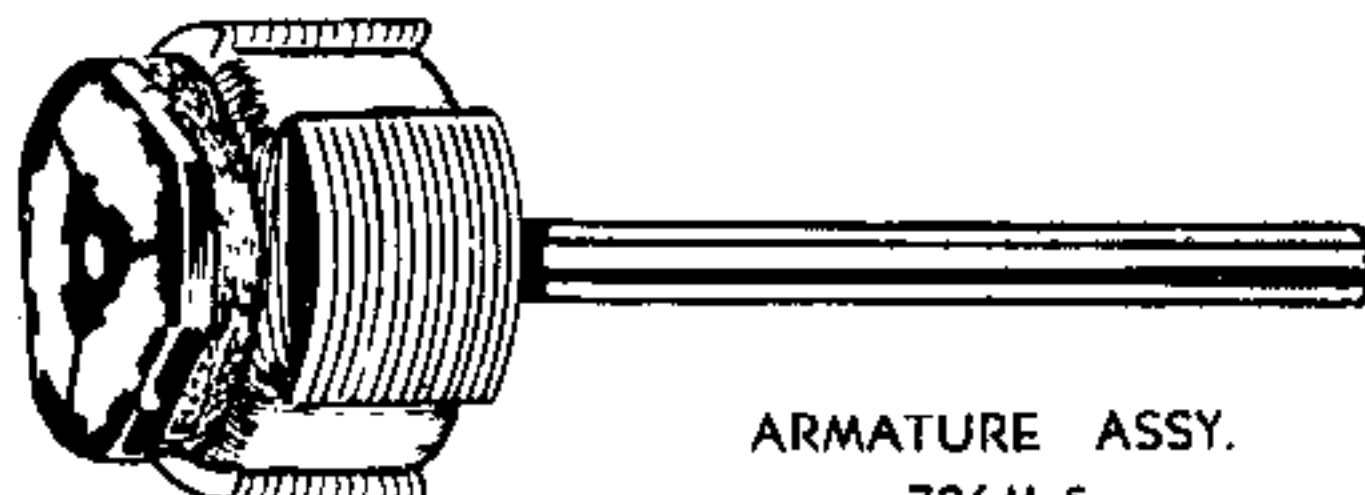


MOTOR & PINION ASSY.  
2020M-1

LOCKWASHER  
2-111  
\$.02

FILLISTER HEAD SCREW  
6-32 X 3-8"  
\$.02

ROUND HEAD SCREW  
6-32 x 1-4"  
\$.02



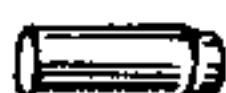
ARMATURE ASSY.  
726M-5  
\$2.00

ARMATURE PINION  
671-36  
\$.25

BRUSH HOLDER  
2020M-20  
\$.15



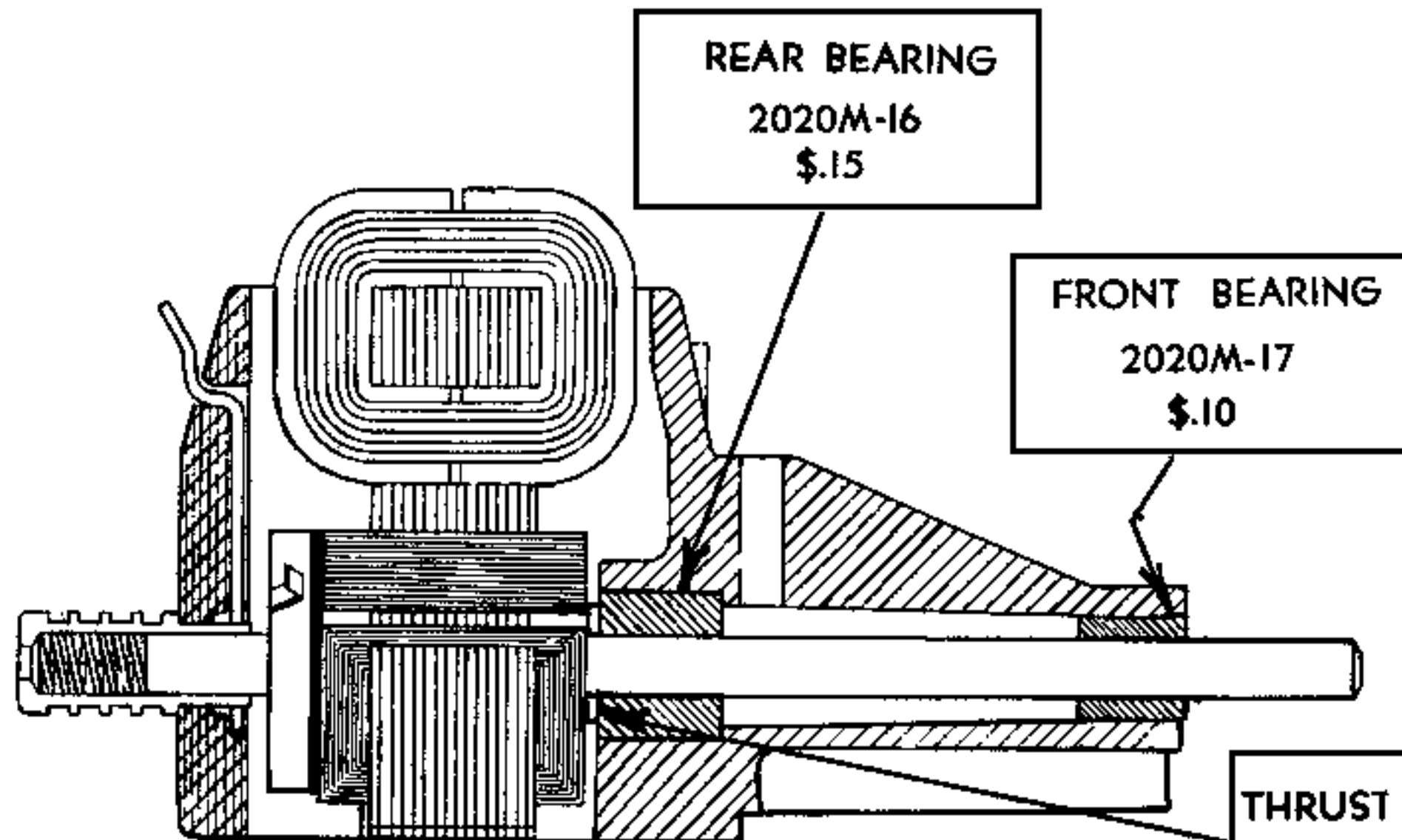
BRUSH  
2020M-33  
\$.60 pr.



BRUSH SPRING  
2020M-34  
\$.10 pr.

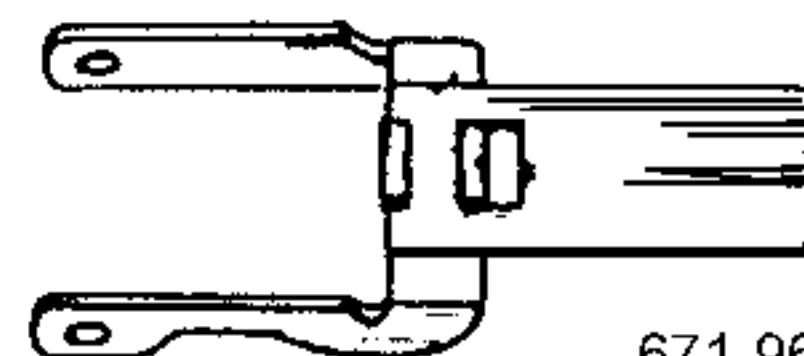


671-50  
726-51  
SPRING  
671-140



REAR BEARING  
2020M-16  
\$.15

FRONT BEARING  
2020M-17  
\$.10

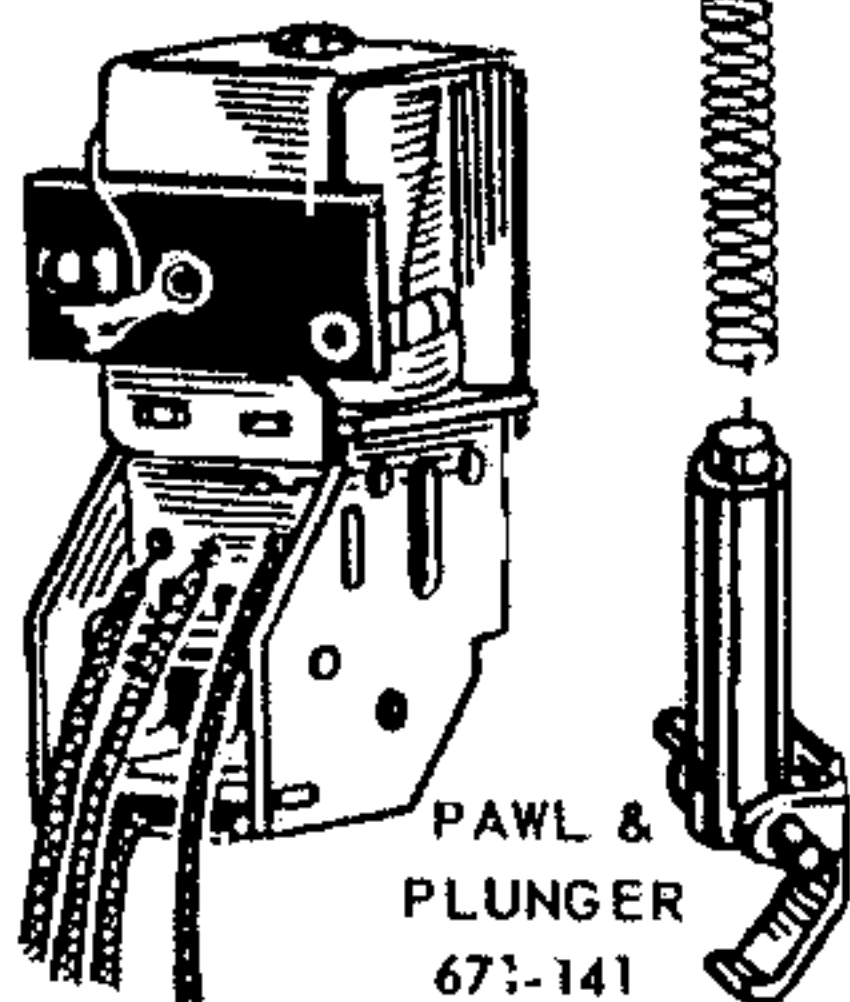


671-96  
FLAPPER ARM  
ASSEMBLY

671-115  
flapper screw (short)



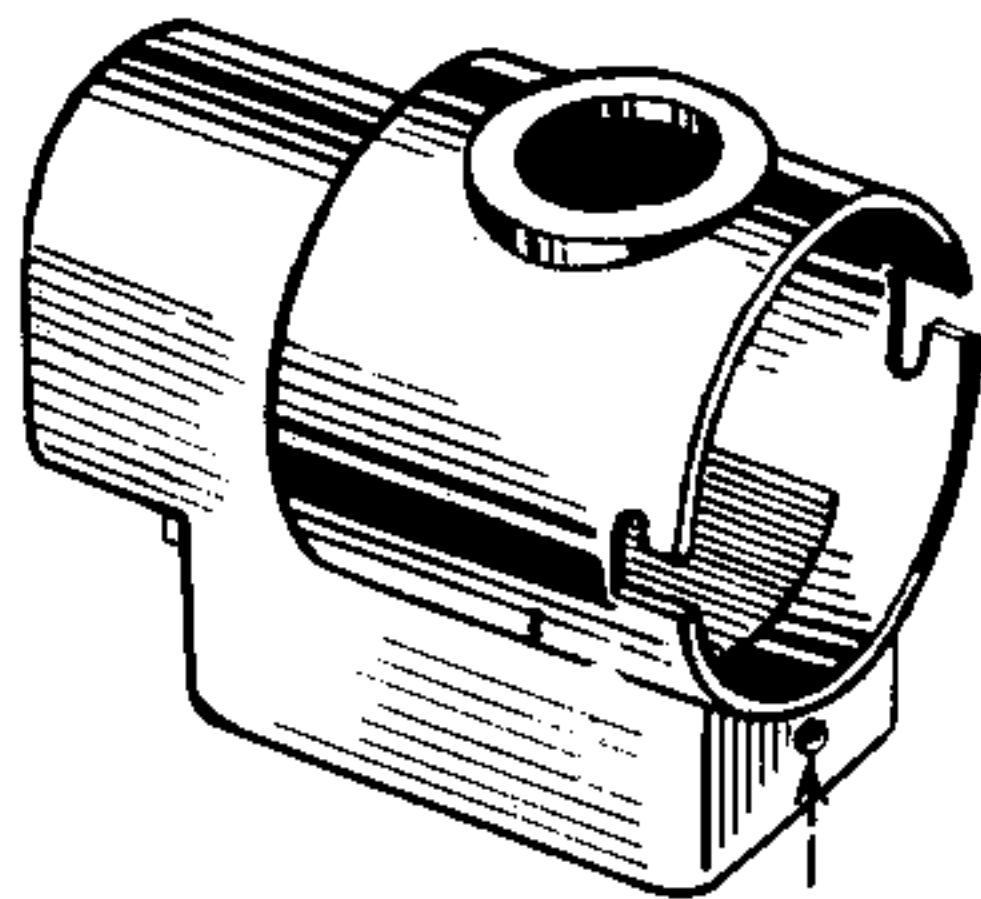
671-151  
FLAPPER ARM  
SPRING



PAWL &  
PLUNGER  
671-141

Horizontally-mounted relays.  
Used in 1946 models of 671,  
671R, and 726 locomotives.  
No lever. Panel in front.  
Special plunger and return  
spring.

SMOKE UNIT BOX  
671-61  
\$1.00



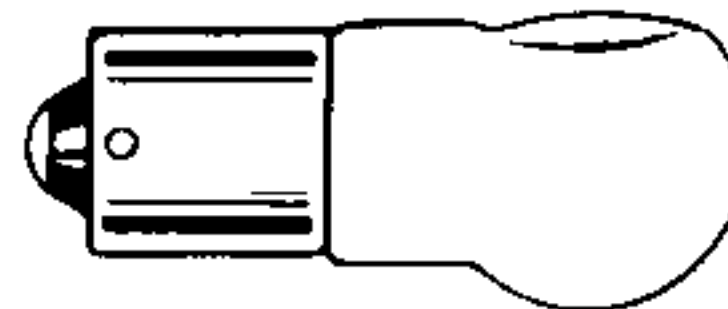
BINDING HEAD SCREW  
4-40 X 1-4"  
\$.02



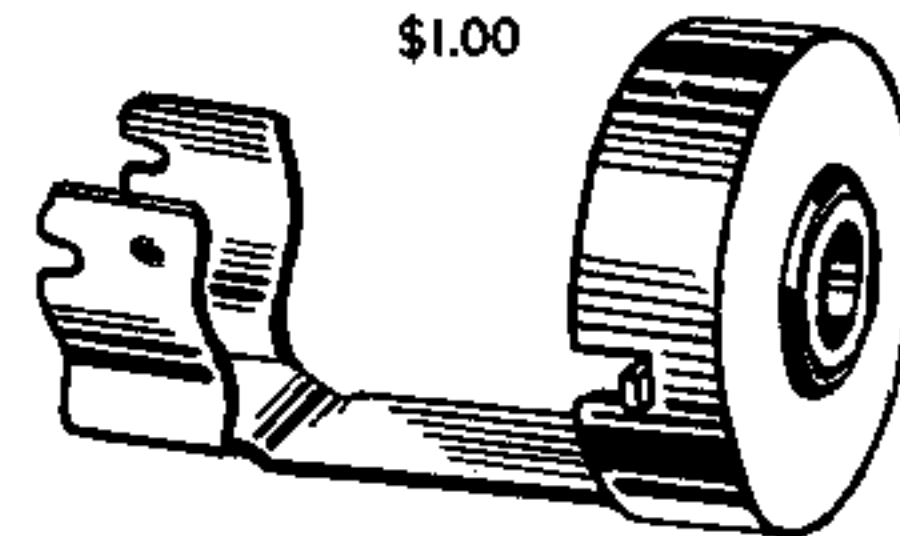
STACK GASKET  
726-57  
\$.05



SMOKE LAMP  
671-75  
\$.75

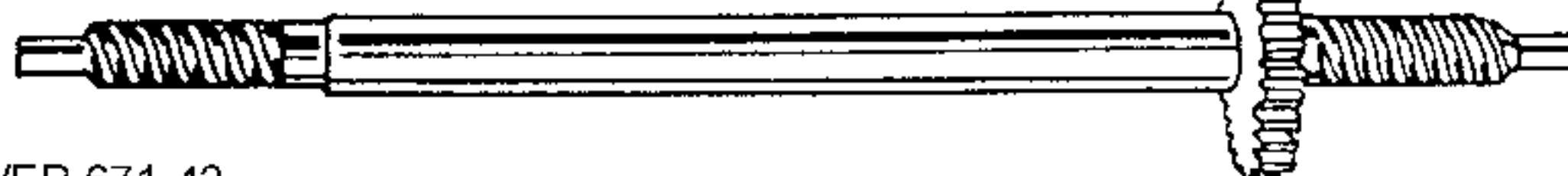


SMOKE BOX COVER ASSY.  
671-63  
\$1.00



726-15  
gear worm shaft

DUAL WORM SHAFT ASSY.  
726-9  
\$1.25



671-40  
REAR SHAFT  
BEARING

671-67  
\$.50  
671-38  
FRONT SHAFT  
BEARING



© 671-39 BALL BEARING 1/8" COVER 671-42